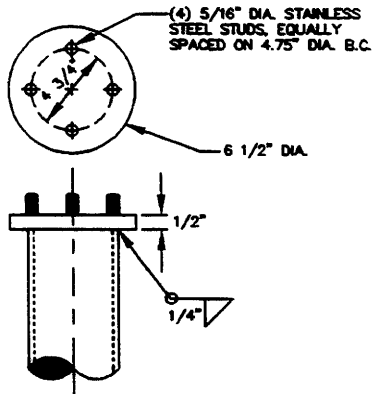


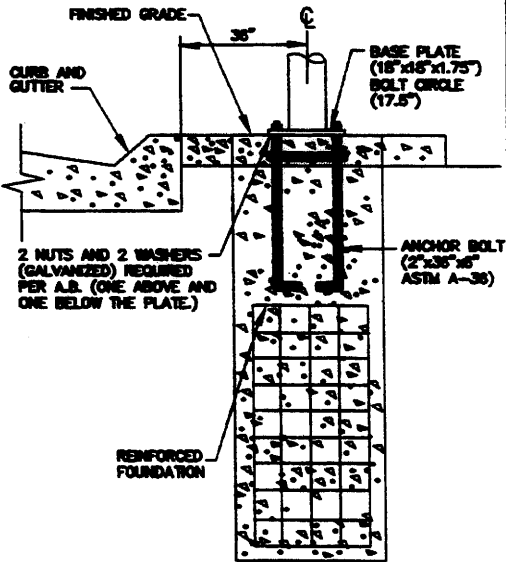
UPPER HANDHOLE AND COUPLING DETAIL

NOT TO SCALE



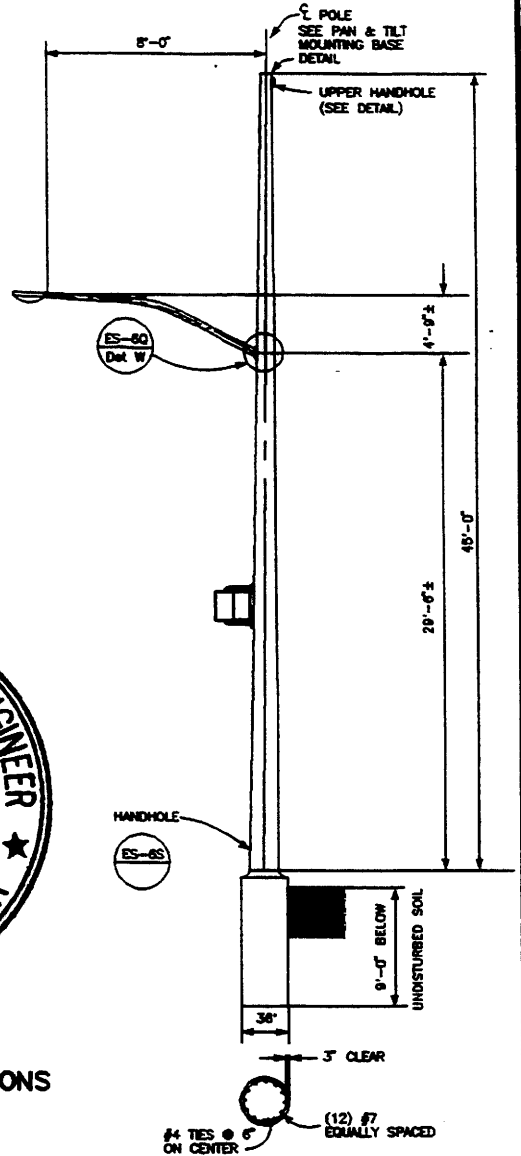
PAN AND TILT MOUNTING BASE DETAIL

NOT TO SCALE



CCTV BASE PLATE AND FOUNDATION DETAIL

NOT TO SCALE



POLE SPECIFICATIONS

BASE PLATE AND FLANGES:
ASTM A-36

SHAFT: STEEL OF 48,000 PSI
MINIMUM YIELD AFTER FABRICATION.
DESIGN YIELD OF $F_y = 48,000$ PSI IN
ORDER THAT $F_u/F_y > 1.5$

PIPE: ASTM A-53 GRADE B.

ANCHOR BOLTS: ASTM A-36

WELDS: ALL BUTT WELDS TO BE
GROUND FLUSH WITH BASE METAL.

LONGITUDINAL: BUTT WELD BY
THE SUBMERGED ARC PROCESS.

CIRCUMFERENTIAL: BUTT WELD
WITH PERMANENT BACK-UP RING.

FINISHED POLE: HOT DIP
GALVANIZED PER ASTM A-123.

FRESH HARDWARE: HOT DIP
GALVANIZED PER ASTM A-153.

CCTV POLE DATA

HEIGHT 45'-0"
BOTTOM O.D. 12.125"
TOP O.D. 3.938"
MINIMUM THICKNESS 0.625"

TYPICAL CCTV POLE TYPE II

(MODIFIED CALTRANS TYPE 28-4-80 WITHOUT
SIGNAL ARM. INCLUDES 15' POLE EXTENSION)

Ⓢ DETAIL REFER TO CALTRANS STANDARD PLANS

NOT TO SCALE

Revised	By
---------	----

CITY OF ANAHEIM
DEPARTMENT OF PUBLIC WORKS
ENGINEERING DIVISION

CCTV POLE TYPE II

APP. *James M. Parol* 4-18-95
PRIN. TRAFFIC ENGINEER DATE

APP. *John E. [Signature]* 4-19-95
DIR. W / CITY ENGINEER DATE

STD. PLAN No. 412